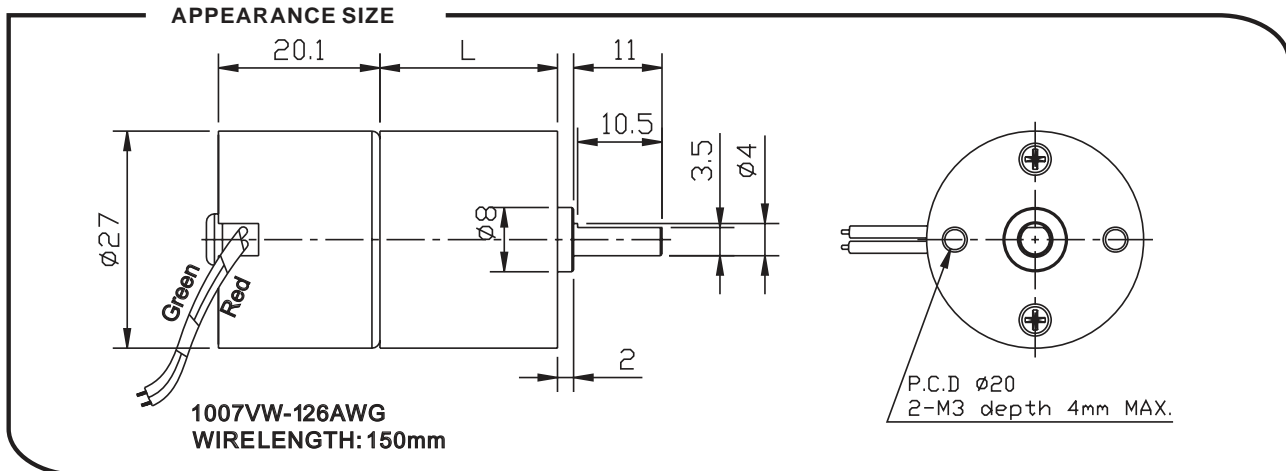




## SG-27 DC GEAR MOTOR Series



### Gearbox data:

| Number of stages  | 4 stages reduction | 5 stages reduction | 6 stages reduction | 7 stages reduction |
|---|--------------------|--------------------|--------------------|--------------------|
| Reduction ratio   | 30、39              | 74、97              | 187、244            | 468、610            |
| Gearbox length “L” mm   | 17.1               | 19.6               | 22.1               | 24.6               |
| Max. Running torque   | 0.5Kgf • cm        | 1Kgf • cm          | 2Kgf • cm          | 3Kgf • cm          |
| Max. Gear breaking torque   | 1.5Kgf • cm        | 3Kgf • cm          | 6Kgf • cm          | 9Kgf • cm          |
| Max.Gearing efficiency  | 65%                | 59%                | 53%                | 48%                |
| Other reduction ratio please telephone or e-mail to our engineering department. |                    |                    |                    |                    |

### Motor data:

| Motor name  | Rated Volt. V | No load |       | Load torque |       |         |              | Stall torque |         |
|-------------|---------------|---------|-------|-------------|-------|---------|--------------|--------------|---------|
|             |               | Current | Speed | Current     | Speed | Torque  | Output power | Torque       | Current |
|             |               | mA      | r/min | mA          | r/min | gf • cm | W            | gf • cm      | mA      |
| SG-27063800 | 6             | ≤30     | 3800  | ≤150        | 2850  | 16      | 0.46         | 64           | 500     |
| SG-27065000 | 6             | ≤40     | 5000  | ≤250        | 3750  | 21      | 0.78         | 80           | 900     |
| SG-27123800 | 12            | ≤15     | 3800  | ≤80         | 2850  | 16      | 0.46         | 64           | 250     |
| SG-27125000 | 12            | ≤20     | 5000  | ≤130        | 3800  | 21      | 0.78         | 80           | 450     |
| SG-27127600 | 12            | ≤40     | 7600  | ≤300        | 5700  | 31      | 1.8          | 120          | 1100    |
| SG-27246000 | 24            | ≤25     | 6000  | ≤100        | 4500  | 24      | 1.1          | 95           | 320     |

1. After connecting motor and gearbox which is named gearmotor the output torque: motor torque X reduction ratio X gearing efficiency; output speed: motor speed / reduction ratio.

### NOTE:

1. Gearmotor named methods: e.g. SG-27063800-74K Motor please refer to the motor data SG-27063800. Gearbox please refer to gearbox data reduction ratio 74. Related to gearmotor output speed and torque please refer to motor data.
2. Gearbox shell material: zinc alloy.
3. Gearbox gear materials: The first stage gear: plastic gear. The final stage gear: 45<sup>#</sup> steel Heat-treatment gear. Other stages gear: powder metallurgy gear.
4. Standard output shaft after reducing:  $\phi 4.0$ mm. other sizes of the output shaft can make as client request.
5. Chart only for reference, products shall prevail the entity.