



Micro Dc Motor

RF1220C

Operating Voltage: 3.0V ~ 9.0V

Typical Applications: Office Equipments
Audio products

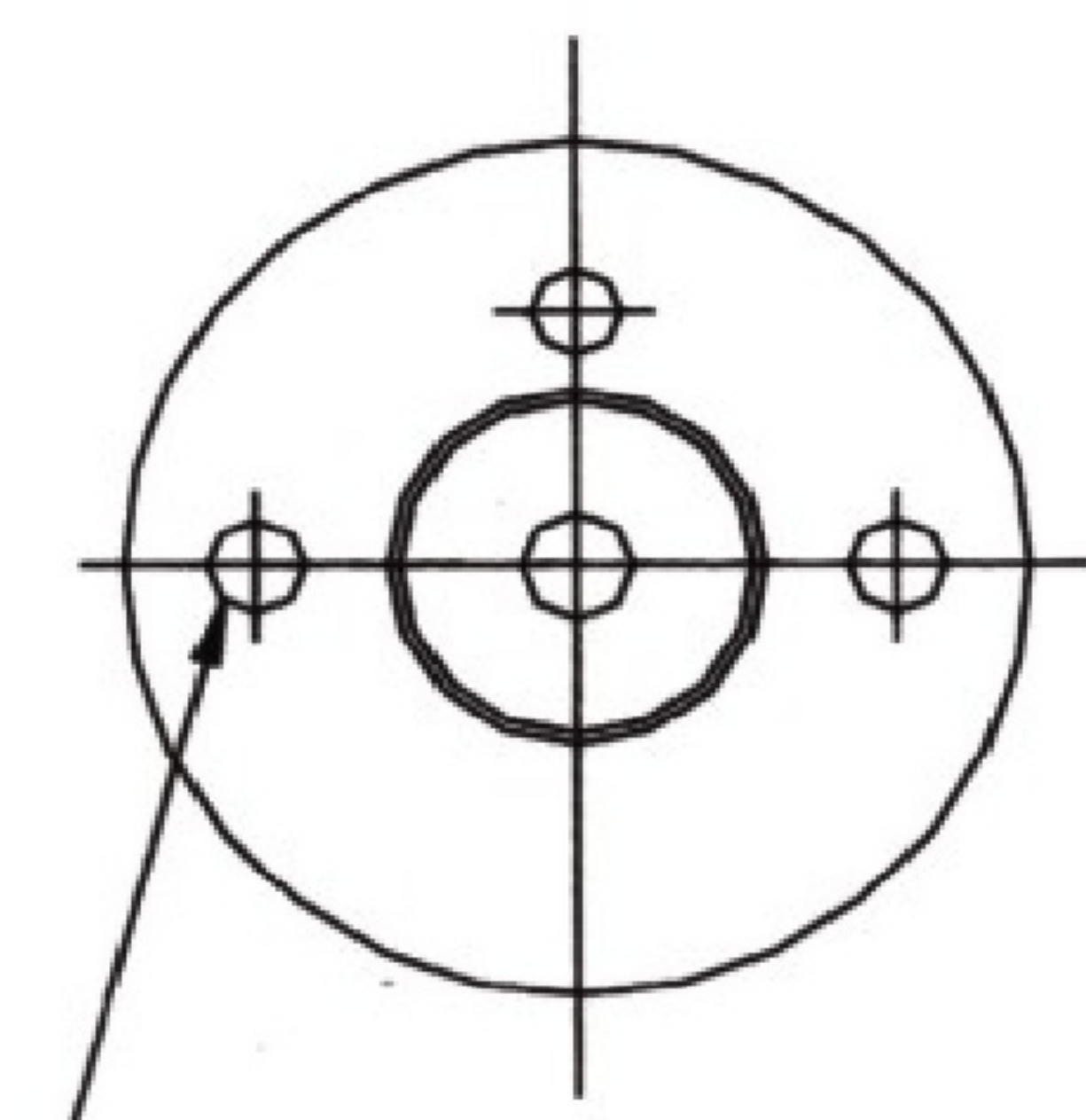


Electrical Specification

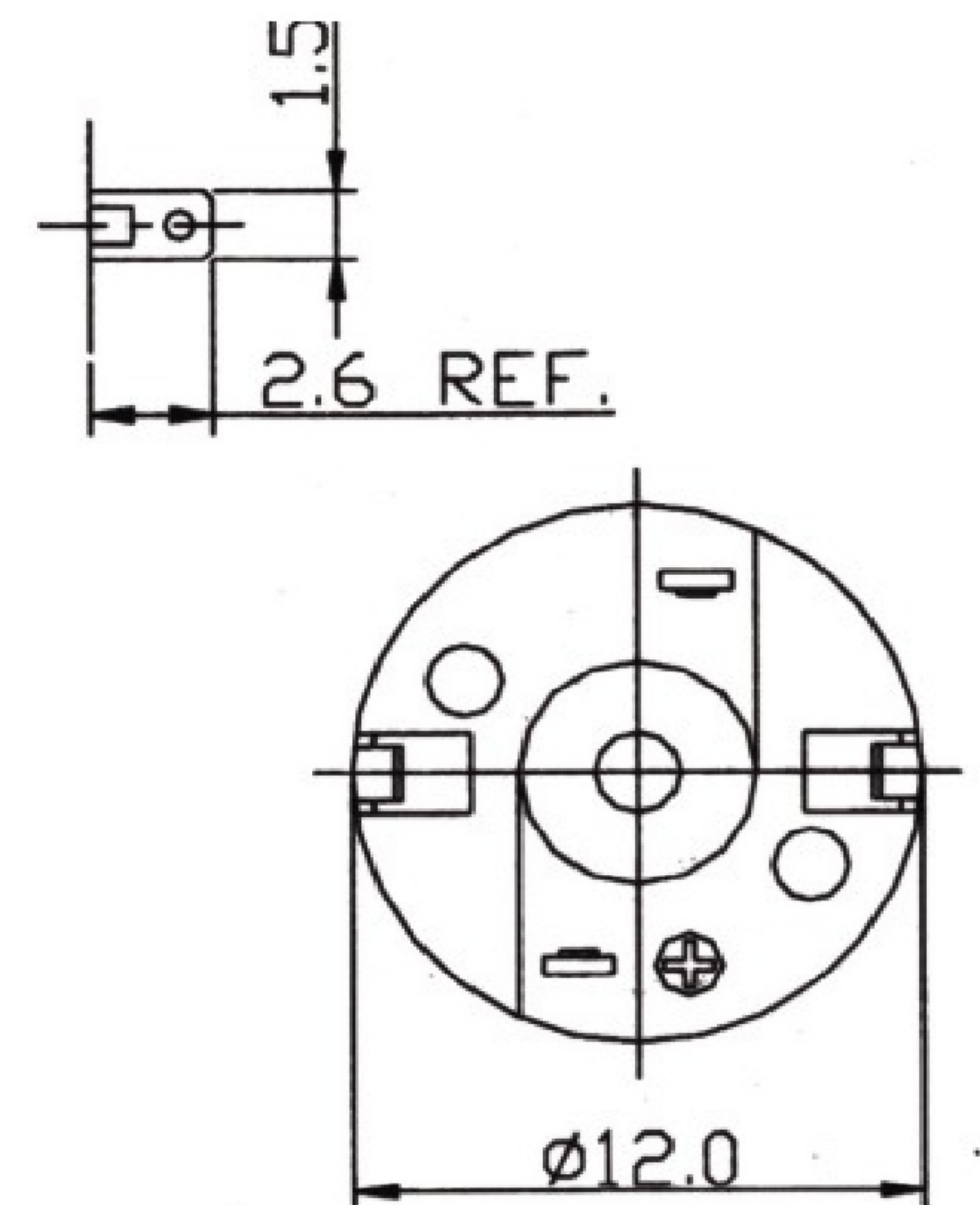
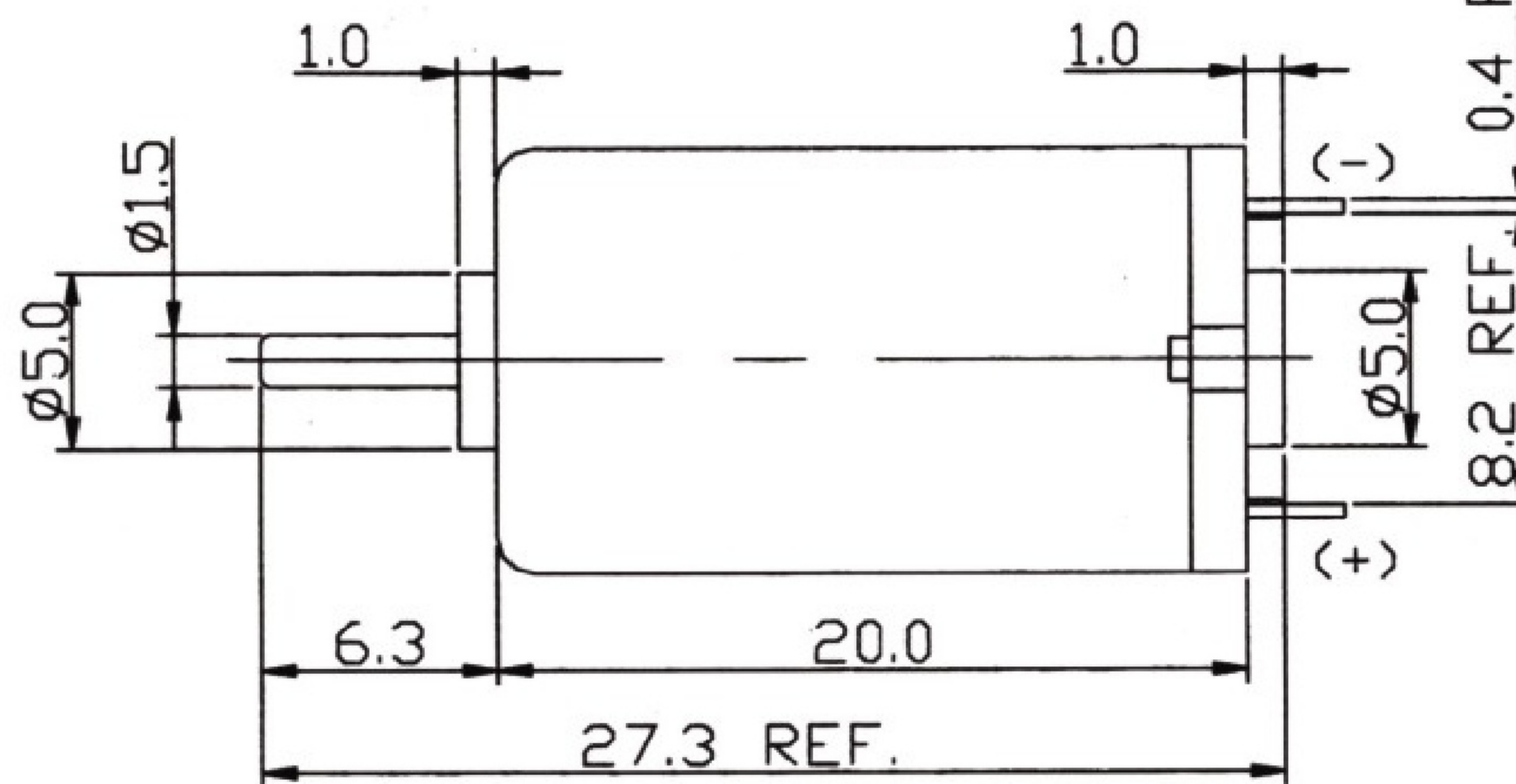
MODEL	VOLTAGE		NOLOAD		AT MAX.EFFICIENCY					STALL	
	OPERATING RANGE	NOMINAL (CONSTANT)	SPEED rpm	CURRENT A	SPEED rpm	CURRENT A	TORQUE g-cm	OUTPUT W	EFF. %	CURRENT A	TORQUE g-cm
RF1220C-07290	3.0~12.0	6.0V	11840	0.05	8330	0.10	3.6	0.30	46.3	0.26	12.0
RF1220C-1480	3.0~12.0	3.0V	21270	0.19	15780	0.56	4.9	0.79	47.5	1.60	19.0

Mechanical Dimensions

DIRECTION OF ROTATION

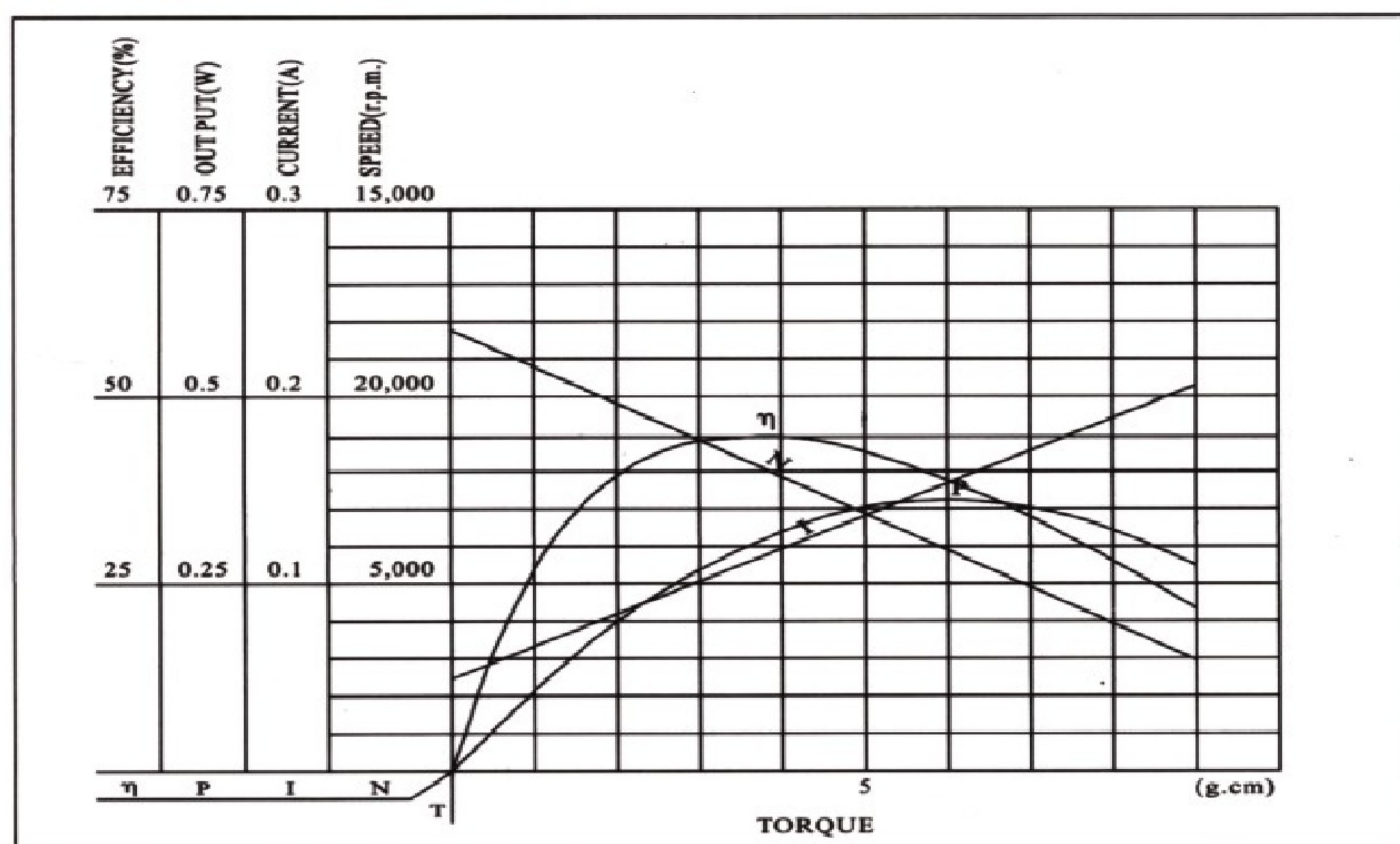


Ø1.3 HOLE
2 PLACES



UNIT:mm

RF1220C-07290 6.0V



RF1220C-1480 3.0V

