



Micro Dc Motor

LS-RF1230C

Application:

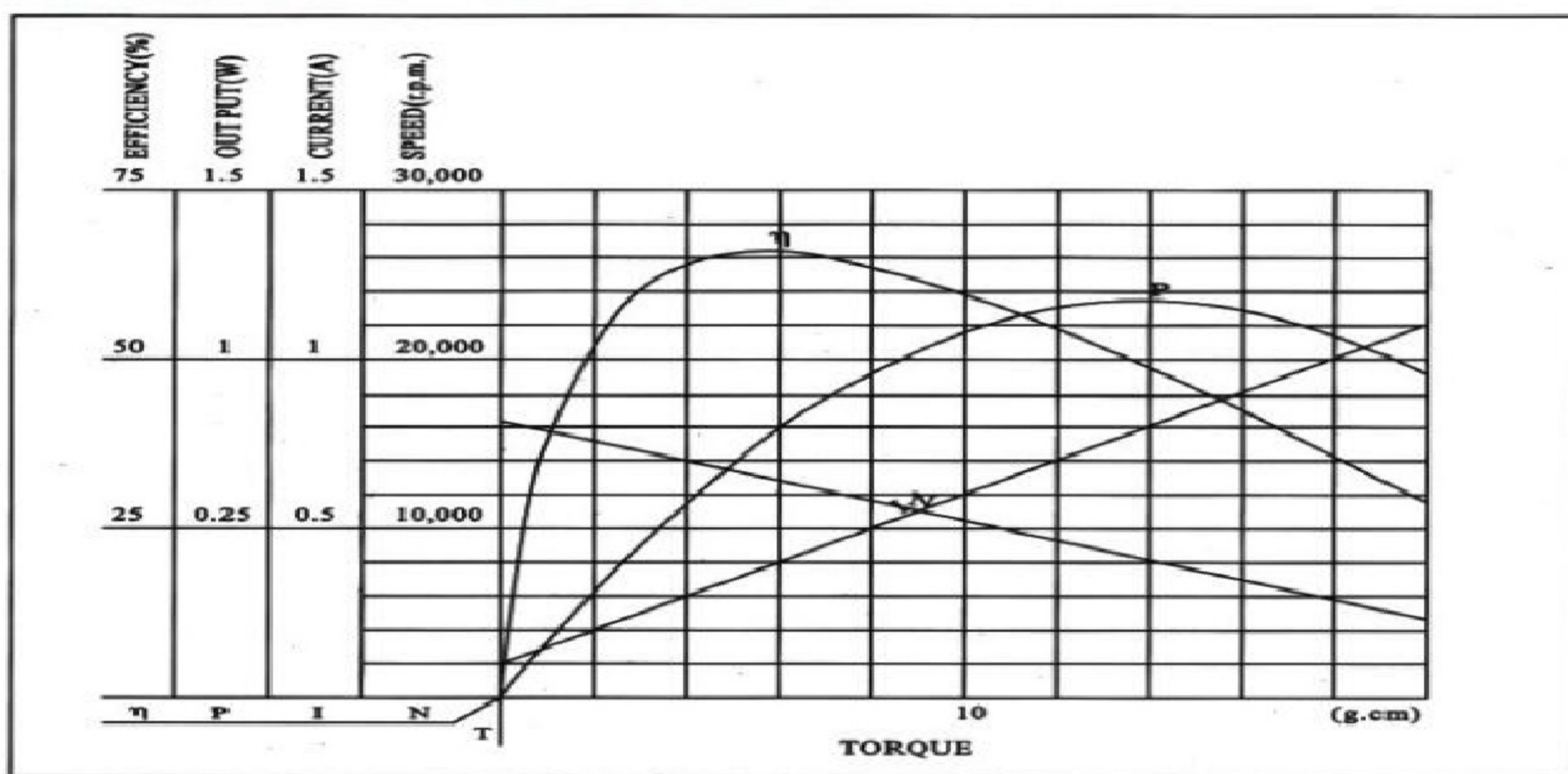
Typical Applications、 Typical Applications、 Motorized Plastic Model。



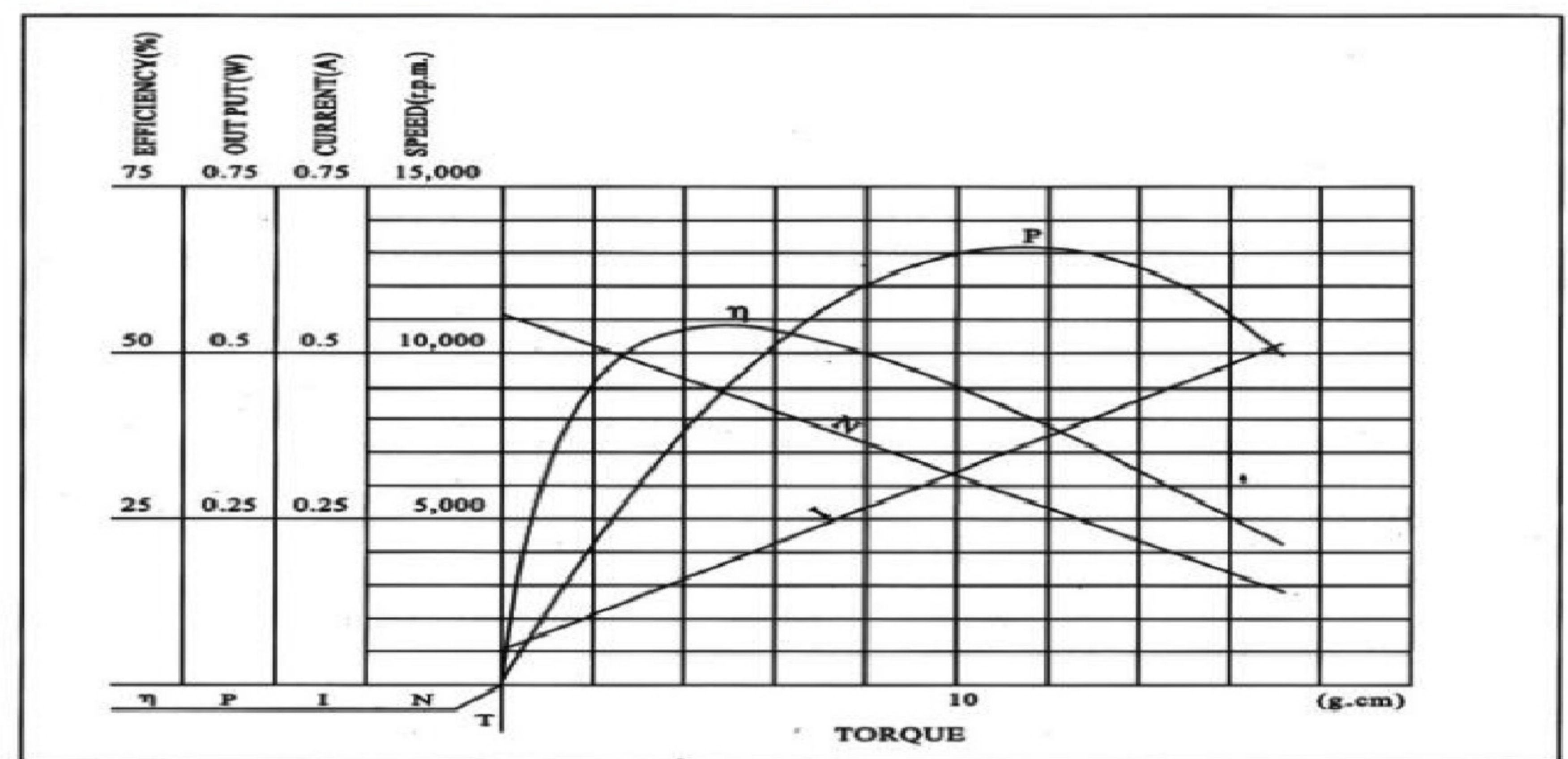
Electrical Specification

MODEL	VOLTAGE		NOLOAD		AT MAX.EFFICIENCY					STALL	
	OPERATING RANGE	NOMINAL (CONSTANT)	SPEED rpm	CURRENT A	SPEED rpm	CURRENT A	TORQUE g-cm	OUTPUT W	EFF. %	CURRENT A	TORQUE g-cm
RF1230CV-1560	3.0~6.0	3.0V	16380	0.10	13070	0.40	5.7	0.8	65.3	1.50	28.0
RF1230CV-11120	3.0~6.0	4.5V	11230	0.05	8800	0.18	5.0	0.45	54.0	0.67	23.0

RF1230CV-1560 3.0V

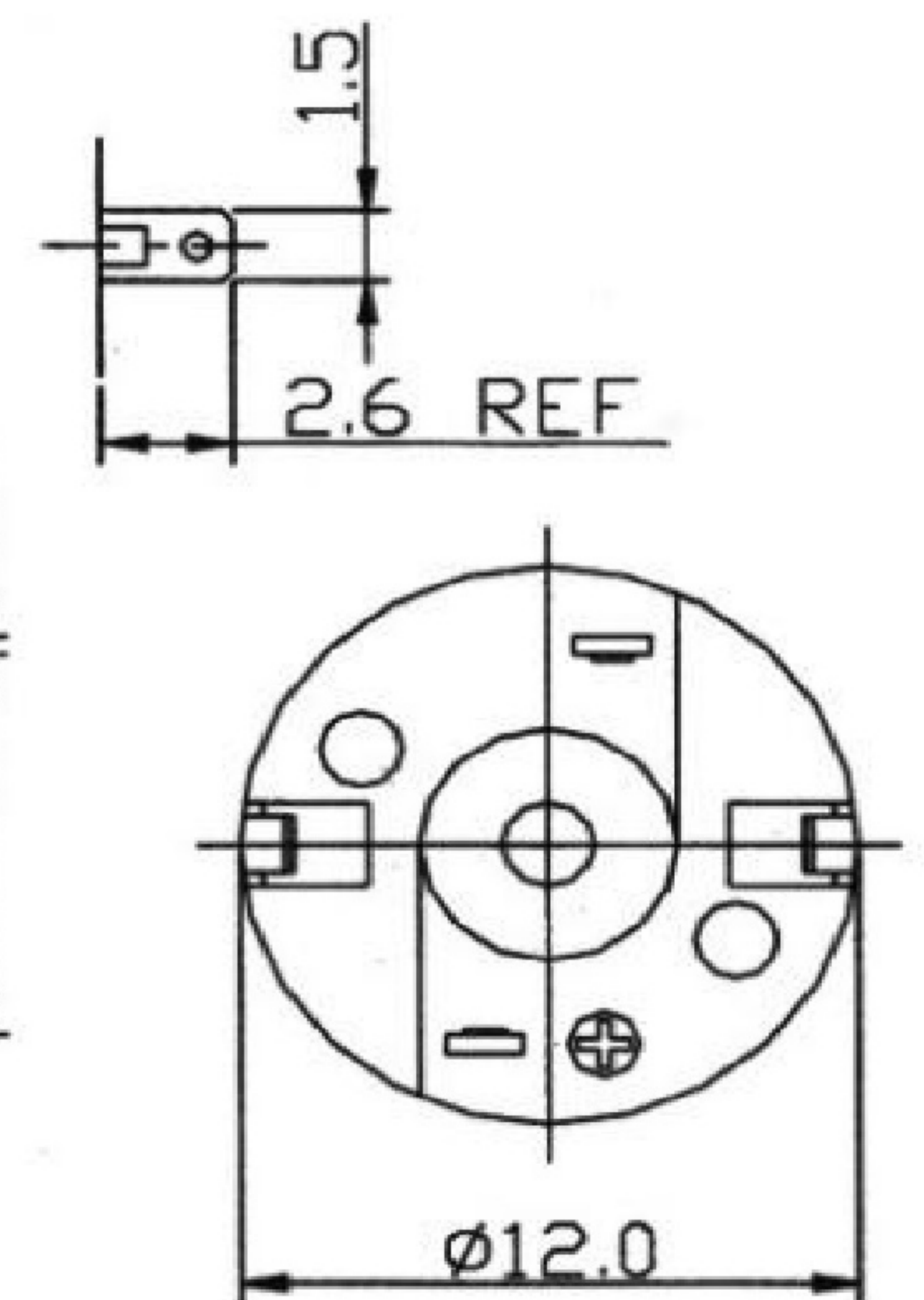
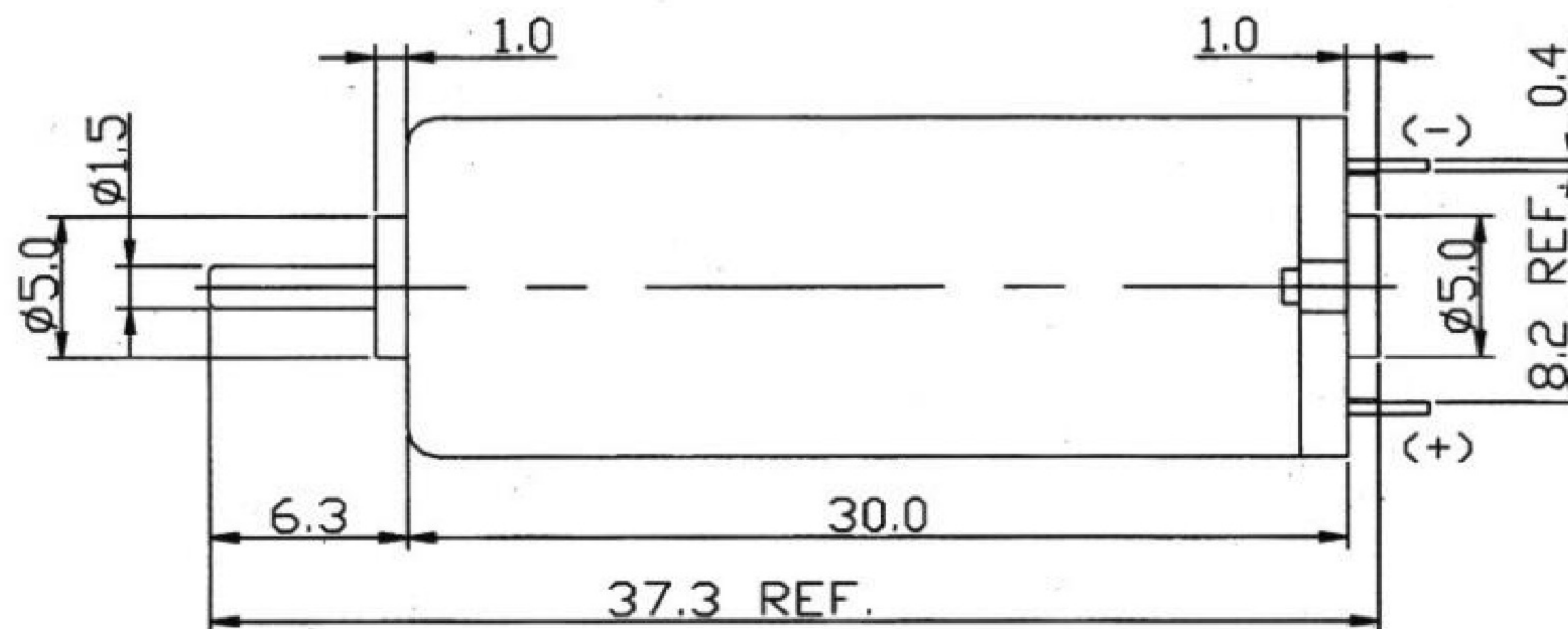
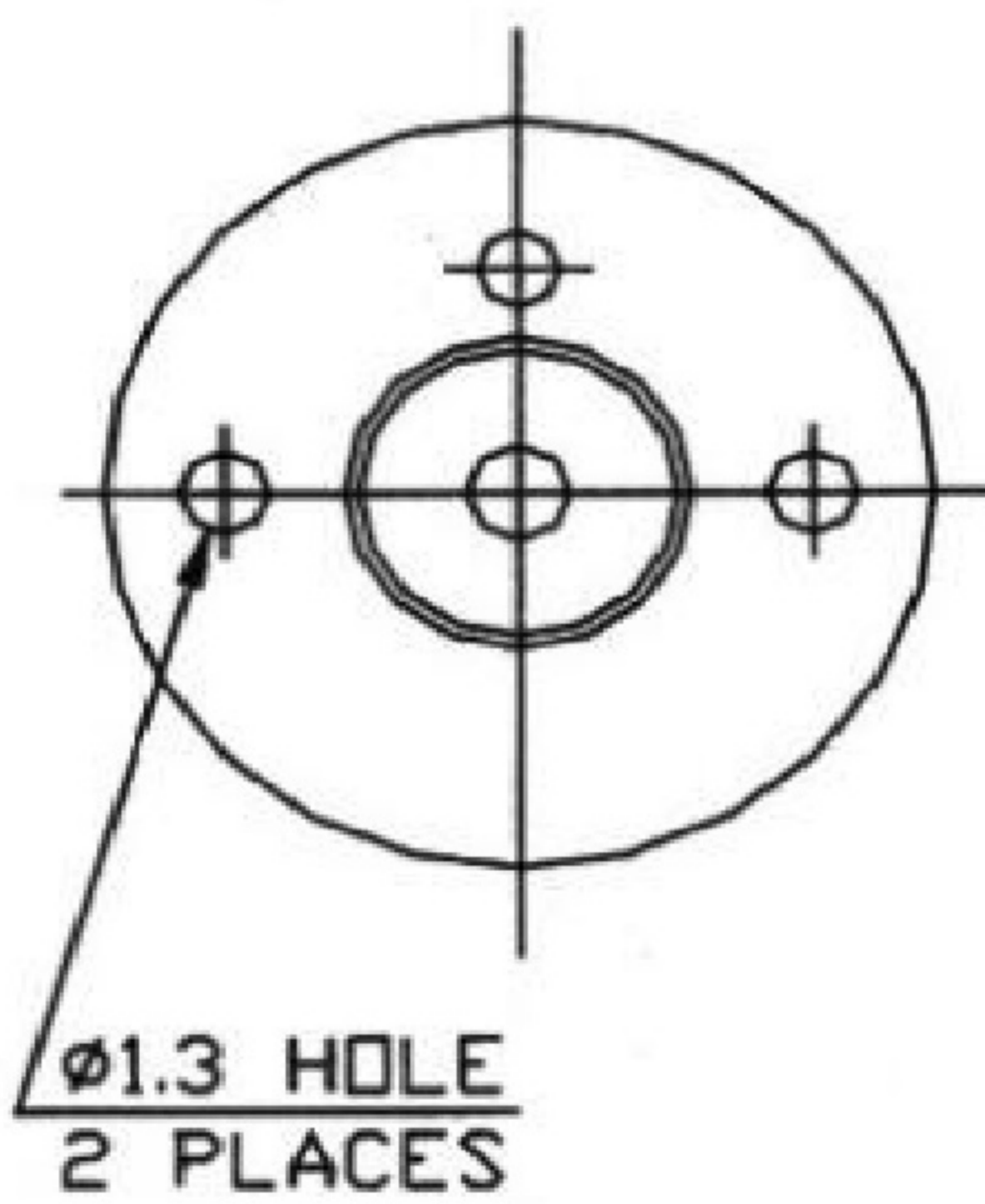


RF1230CV-11120 4.5V



Mechanical Dimensions

DIRECTION OF ROTATION



UNIT:mm