

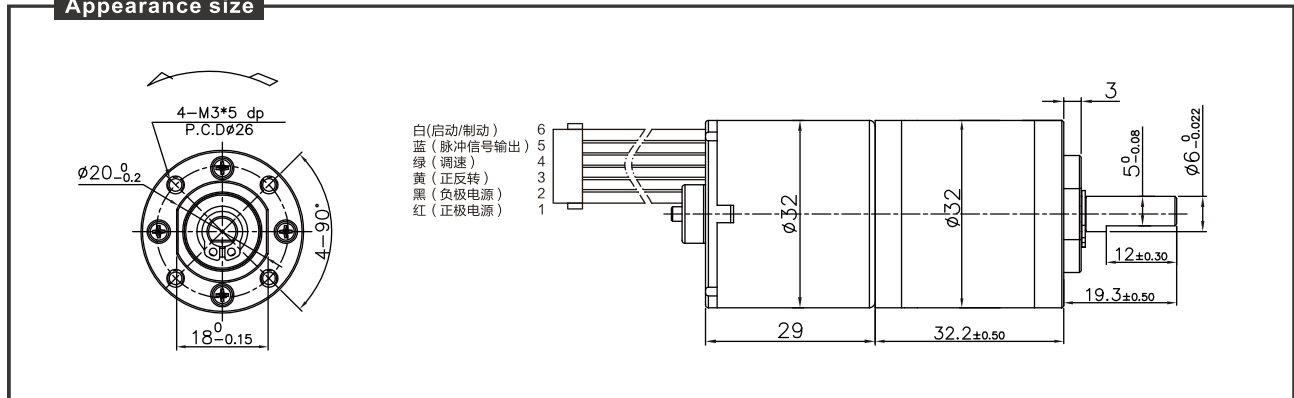


DC Planetary Gear Motor

PG32BL32



Appearance size



Gearbox data

Number of stages	1	2	3	4	5
Reduction ratio	3.3,4.6	11.2,15.5,21.5	37.7,52.1,72,100	126,174,241,334,462	423,585,810,1120,1549,2142
Gearbox length "L" mm	20.7	26.4	32.2	38	43.8
Running torque	10.0kgf · cm	20.0kgf · cm	50.0kgf · cm	50.0kgf · cm	50.0kgf · cm
Gear breaking torque	20.0kgf · cm	60.0kgf · cm	150.0kgf · cm	150.0kgf · cm	150.0kgf · cm
Gearing efficiency	90%	81%	73%	65%	59%

Motor data

Motor type	Rated volt (V)	No load speed (rpm)	No load current (mA)	Rated speed (rpm)	Rated current (mA)	Rated torque (gf.cm)	Rated output (W)	Stall torque (gf.cm)	Stall current (A)
BL32126000	12	6000	≤120	4850	≤440	72	3.61	424	≤2.23
BL32246000	24	6000	≤55	4963	≤241	70	3.56	440	≤1.16

电机使用示意图

