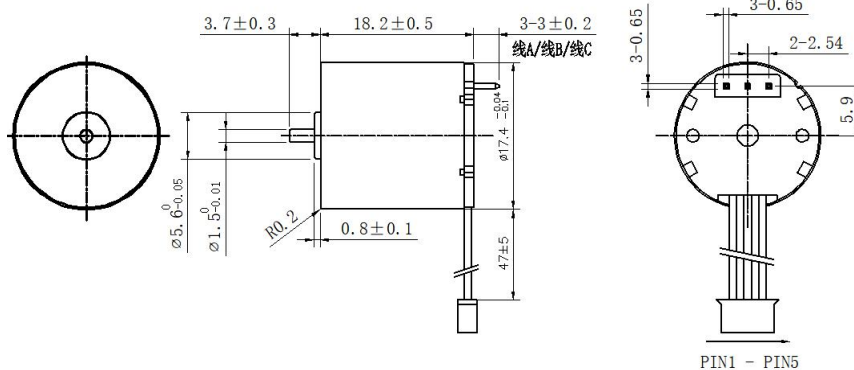




Coreless Brushless DC Motor

LS-1718RB



Typical Applications: Robot. RC servo. Aircraft model

电机参数 (Motor data)		01A	14A	43A	62A		
额定电压下数值 (Values at nominal voltage)							
1 额定电压 (Nominal voltage)	V	7.4	7.4	12	12		
2 空载转速 (No load speed)	rpm	28200	34570	27890	29410		
3 空载电流 (No load current)	mA	220	220	120	150		
4 额定转速 (Nominal speed)	rpm	25630	32230	25500	26920		
5 额定转矩(最大连续转矩) (Nominal torque)	mNm	1.5	1.5	1.5	1.5		
6 额定电流(最大连续电流) (Nominal current)	A	0.82	1	0.54	0.53		
7 堵转转矩 (Stall torque)	mNm	16.30	22.2	17	17.6		
8 堵转电流 (Stall current)	A	6.70	11.1	4.37	4.7		
9 最大效率 (Max efficiency)	%	70	67	69	71		
电机常数 (Motor constant)							
10 相间电阻(Terminal resistance)	Ω	1.1	0.67	2.75	2.57		
11 转矩常数 (Torque constant)	mNm/A	2.46	2.00	4.03	3.82		
12 速度常数 (Speed constant)	rpm/V	3811	4672	2324	2451		

其他特性参数 Other characteristic parameters

- 13 环境温度范围 (Ambient temperature) -10~40℃
- 14 绕组最高允许温度 (Max permissible winding temperature) 120℃
- 15 最高允许转速 (Max permissible speed) 35000rpm
- 16 电极磁极对数 (Number of the pole pairs) 1
- 17 相数 (Number of Phases) 3
- 18 电机质量 (Weight) 20.81g

端子定义 (terminals):
 引线规格 (cable type): 2651/28#
 PIN1 VCC
 PIN2 GND
 PIN3 Hall A
 PIN4 Hall B
 PIN5 Hall C

01A电机曲线图 motor curve

