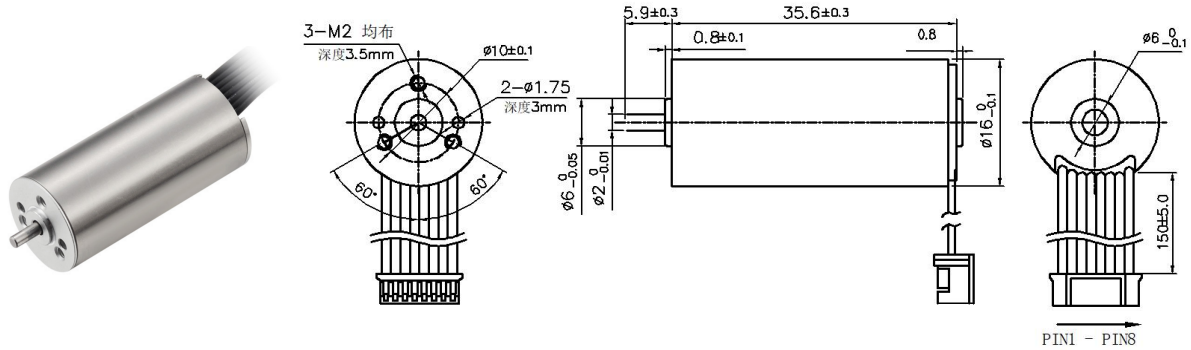




Coreless Brushless DC Motor

LS-1636RB



Typical Applications: Door lock, Robot, RC servo, Tools

电机参数 (Motor data)		09A	08A	04A	01A	10A
额定电压下数值 (Values at nominal voltage)						
1 额定电压 (Nominal voltage)	V	6	7.4	12	24	24
2 空载转速 (No load speed)	rpm	11670	8700	20850	21340	13100
3 空载电流 (No load current)	mA	160	120	220	140	100
4 额定转速 (Nominal speed)	rpm	10170	6900	18060	18520	9430
5 额定转矩(最大连续转矩) (Nominal torque)	mNm	3	3.4	6	6	8
6 额定电流(最大连续电流) (Nominal current)	A	0.77	0.48	1.3	0.72	0.535
7 堵转转矩 (Stall torque)	mNm	23.3	16.2	44.6	45.2	28.2
8 堵转电流 (Stall current)	A	4.91	2.12	8.33	4.35	1.7
9 最大效率 (Max efficiency)	%	70	70	73	69	65
电机常数 (Motor constant)						
10 相间电阻 (Terminal resistance)	Ω	1.22	3.49	1.44	5.52	14
11 转矩常数 (Torque constant)	mNm/A	4.81	7.96	5.39	10.53	17.15
12 速度常数 (Speed constant)	rpm/V	1945	1176	1738	889	546

其他特性参数 Other characteristic parameters

13 环境温度范围 (Ambient temperature)	-10~40℃
14 绕组最高允许温度 (Max permissible winding temperature)	120℃
15 最高允许转速 (Max permissible speed)	30000rpm
16 电极磁极对数 (Number of the pole pairs)	1
17 相数 (Number of Phases)	3
18 电机质量 (Weight)	38.1g

端子定义 (terminals):

引线规格 (cable type): P 3302/26#

PIN1	VCC
PIN2	HC
PIN3	HB
PIN4	HA
PIN5	GND
PIN6	C
PIN7	B
PIN8	A

01A电机曲线图 motor curve

