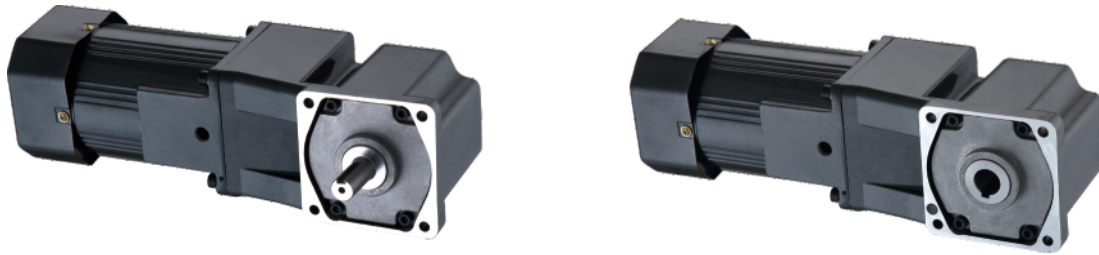




Right Angle AC Gear Motor 40W

40W 90X90MM



电机技术参数 Motor Technical Parameters

电机型号 Motor model		功率 Power (W)	电压 Voltage (V)	频率 Frequency (Hz)	电流 Current (A)	启动转矩 Starting torque (mN.m)	额定转矩 Rated Torque (mN.m)	额定转速 Rated Speed (r/min)	额定时间 Rated Time (min)	电容 Capacitor (μF/VAC)	
感应电机 Induction motor	5IK40(R)GU-A	40	1PH110 (单相)	50	0.72	235	295	1300	连续 Continuous	10/250	
	60			0.64	180	250	1500				
调速电机 Variable speed motor	5IK40(R)GU-C		1PH220 (单相)	50	0.43	235	295	1300		2.5/450	
				60	0.39	180	250	1500			
刹车电机 brake motor	5IK40GU-S		3PH220 (三相)	50	0.38	650	295	1300			
				60	0.35	540	250	1500			
				5IK40GU-U	3PH380 (三相)	50	0.22	650		295	1300
						60	0.19	540		250	1500

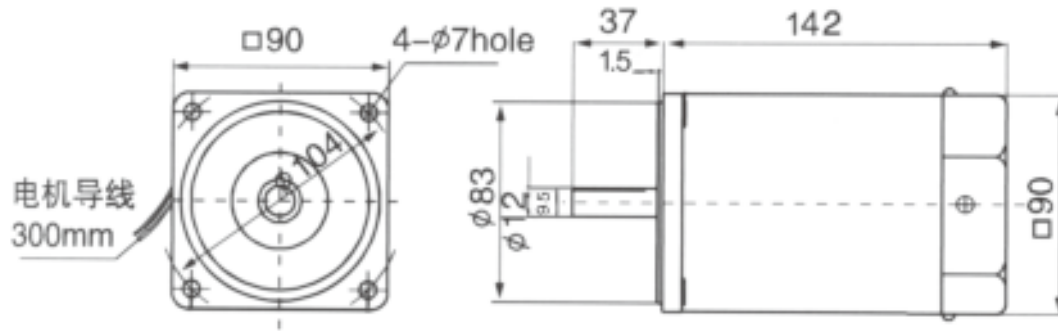
- 上表参数是指电机单体，不附加任何负荷装置。
- 电机额定转速、额定电流允许在±5%范围内变动。
- Parameters in above table refer to motor alone, without any load device.
- Permissible change in rated speed and rated current of the motor is within the range of ±5%

减速电机容许转矩 Reduction Motor Max Allowable Torque

减速比 Reduction ratio	3	3.6	5	6	7.5	9	10	12.5	15	18	20	25	30	36	40	50	60	75	90	100	120	150	180	200	250	300					
50Hz	转速 r/min	500	416	300	250	200	166	150	120	100	83	75	60	50	41	37	30	25	20	16	15	12.5	10	8.3	7.5	6	5				
	转矩 N.m	0.77	0.92	1.3	1.50	1.90	2.31	2.50	3.20	3.80	4.56	5.06	5.70	6.90	9.31	9.56	11.9	14.4	18.7	20											
	转矩 kgf.cm	7.7	9.2	13	15	19	23.1	25	32	38	45.6	50.6	57	69	93.1	95.6	119	144	187	200											
60Hz	转速 r/min	600	500	360	300	240	200	180	144	120	100	90	72	60	50	45	36	30	24	20	18	15	12	10	9	7.2	6				
	转矩 N.m	0.63	0.76	1.10	1.30	1.60	1.91	2.10	2.60	3.20	3.84	4.27	4.70	5.70	6.80	7.35	8.61	10.3	13.3	16.0	17.8	20									
	转矩 kgf.cm	6.3	7.6	11	13	16	19.1	21	26	32	38.4	42.7	47	57	68	73.5	86.1	103	133	160	178	200									

- 转速是以电动机的同步转速为基准除以减速比而算出的数值。实际转速将随负载大小变化而比所示数值减少2~20%左右。
- 希望以大于上表的减速比进一步减速时，可在电动机与减速机之间安装减速比为10的中间减速机。
- The speed is based on the synchronous motor speed reduction ratio as a benchmark calculated by dividing the value of. Actual speed will vary the size of the load changes in less than the values shown in 2~20% .
- Hope to the table of the reduction ratio is greater than the further reduction, it would be installed between the motor and the reducer reduction ratio of 10 the middle of the reducer

■ 电机 Motor



■ 减速箱 Gearbox

■ RA 直角中实减速器 Orthogonal right output shaft

■ RH 直角中空减速器 Orthogonal hollow output shaft

