



DC Brushless Motor 80BL

General Specifications

Item	Specification
Winding type	Star
Hall Effect angle	120° electrical angle
Insulation Class	B
Ambient Temperature Range	-20°C~ +50°C
Insulation Resistance	100MΩMin.500V DC
Dielectric Strength	1000V AC 1minute

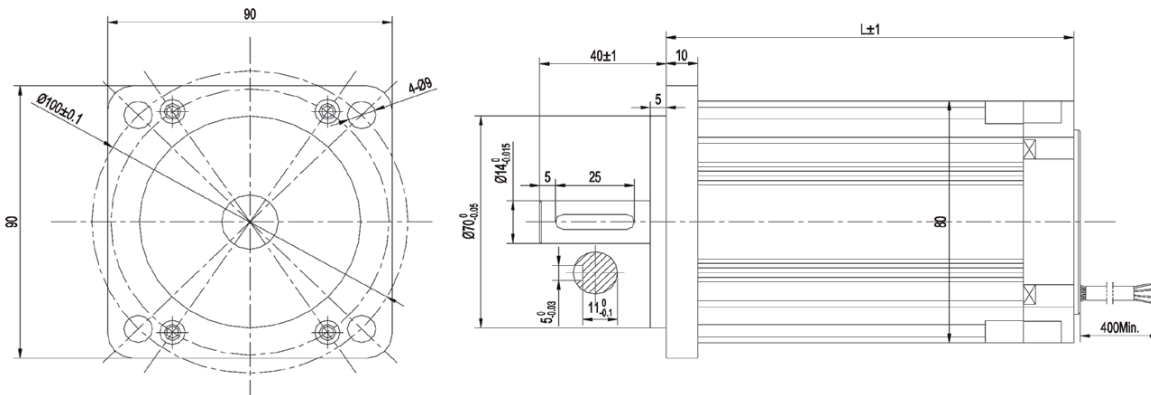


Electrical specifications

Model	Number of Poles	Number of Phases	Rated Voltage	Rated Speed	Rated Torque	Rated Current	Output Power	Peak Torque	Peak Current	Torque constant	Back EMF	Body Length	Mass
			VDC	RPM	N-m	Amps	Watts	N-m	Amps	N-m/Amps	V/KRPM	mm	kg
80BL01	4	3	48	3000	0.7	8.5	220	2.45	25	0.115	1.2	111	3
80BL02			310	3000	1.1	1.9	350	3.5	6.5	0.741	77.5	131	4.5
80BL03			310	3000	1.6	2.2	500	6.6	7	0.74	77.5	161	6

Caution 1: Peak Torque is provided for the purpose of performance calculations only. Operate near, or at this condition will result in motor damaged.
 Note: We can also manufacture products according to customer is requirements.

Mechanical dimenisons



Wiring Diagram

