



Micro Blower

LS-7040 Micro Blower

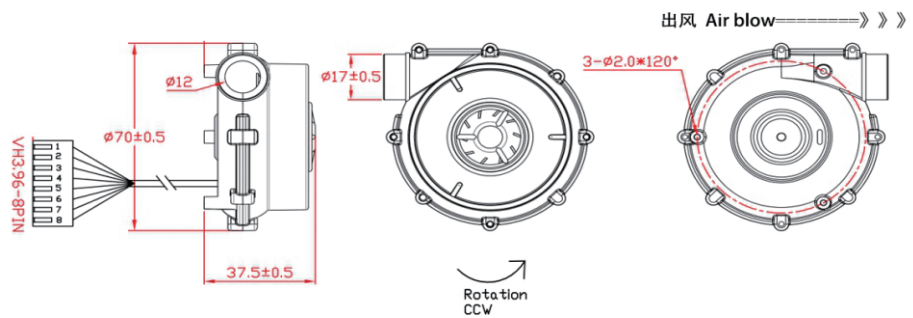
PA66+30%GF plastic impeller and casing (UL and ISO10993)
 All air-contacting parts are respiratory-physiologically harmless

Power supply :>24V-4A ,
 >12V-6A



Dimensions 70*70*36mm

No.	Wires	Code
1	白 white	U
2	蓝 Blue	V
3	黄 Yellow	W
4	黑 Black	GND
5	灰 Gray	Ha
6	绿 Green	Hb
7	橙 Orange	Hc
8	红 Red	+5V



Micro Blower Main Parameters

Model+Normal Voltage	Flow	Pressure	Current	speed	Voltage range	Power	Resistance	Inductance	Rotor inertia
	l/min	kpa	A	rpm	V	P	m Ω	μ H	gcm 2
LS7040-12V	240	7.5	4.8	35600	10.8 - 14.8	60	520	122-124	3.88
LS7040-24V	270	8.5	2.8	38500	7.8 - 30	67	1250	490-495	3.88

Model+Normal Voltage	Noise	MTBF	Using Temp	Weight	Hall Angle	Pole pair	Connection	IP Class	Controller version
	dB	Hour	$^\circ$ C	g					
LS7040-12V	45	25000	-20 TO 85	90	60	2P=1	Δ	IP54	LS8254-12V-70W
LS7040-24V									LS5040-24V-70W

Flow & Pressure Curves

