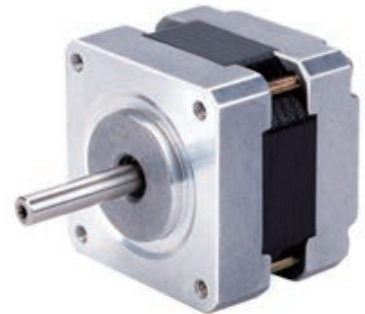




Hybrid Stepper Motor

16HY (39mm) Series, 1.8 deg/step

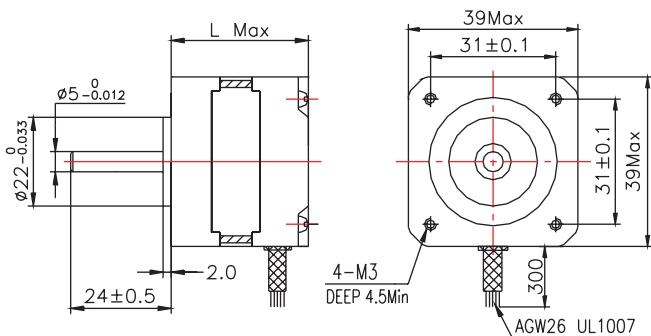


Electrical Specification

Model	Step Angle (°)	Motor Length (mm)	Rated Current(A)	Phase Resistance(Ω)	Phase Inductance(mH)	Holding Torque (N.cmMin)	Detent Torque (N.cmMax)	Rotor Inertia (g.cm ²)	Lead Wire (No.)	Motor Weight(g)
16HY0401	1.8	20	0.42	18	12	8	0.5	12	4	100
16HY2410	1.8	26	0.6	9	10	14	0.8	14	4	120
16HY3401	1.8	34	0.6	12	13	18	1.0	19	4	160
16HY3402	1.8	34	1.2	3.2	3.0	16	1.0	19	4	160
16HY3630	1.8	34	0.4	30	14	12	1.0	19	6	160
16HY4401	1.8	40	0.6	12	20	24	1.2	24	4	210
16HY4402	1.8	40	1.2	3.8	6.5	24	1.2	24	4	210
16HY4630	1.8	40	0.4	30	22	18	1.2	24	6	210

* Note: It's only typical technical data, special requirement can be customized.

Mechanical Dimensions



Description:

Model	Motor Length
16HY0xxx	20mm
16HY2xxx	26mm
16HY3xxx	34mm
16HY4xxx	40mm

Wiring Diagram

